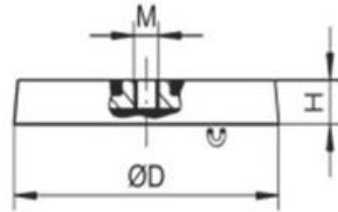


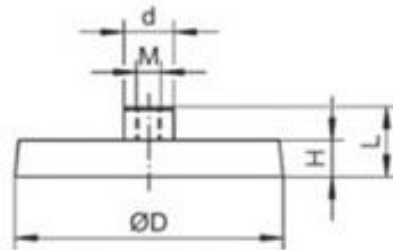
The rubber coated magnets features neodymium magnets affixed to a flat steel disc and coated by a black protective rubber coating to prevent surface scratches. It's a good idea to hold lights , camera, equipment, exhibit fixtures, tools or other holding applications when in need to protect contacted steel surfaces.

**Rubber coated magnet with Flat thread**



Model	D (mm)	M	H (mm)	Weight (g)	Strength (kg)
RCMF22	22	M4/M5/M6/1/4-20	6	10	3.5
RCMF31	31	M4/M5/M6/1/4-20	6	18	7.5
RCMF43	43	M4/M5/M6/1/4-20	6	30	10
RCMF66	66	M5/M6/M8 /M10	8	96	22
RCMF88	88	M6/M8 /M10 1/4-20	8	187	45

**Rubber coated magnet with Internal thread**



Model	D mm	H mm	M	D mm	L mm	Weight g	Strength kg
RCMI22	22	6	M4 M5 M6 1/4-20	8	11.5	11	3.5
RCMI31	31	6	M4 M5 M6 1/4-20	8	11.5	19	7.5
RCMI43	43	6	M4 M5 M6 1/4-20	8	10.5	31	10
RCMI66	66	8	M5 M6 M8 M10	12	13.5	100	22
RCMI88	88	8	M6 M8 M10 1/4-20	15	13.5	179	45

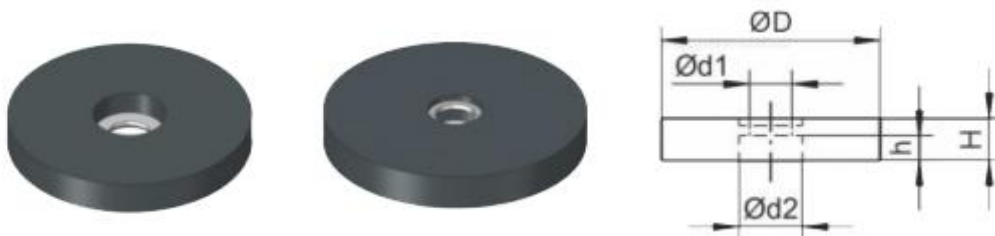
*Note: all the strength of pot magnets are the vertical magnetic pull-force which make the magnet pull away from the 20mm thickness steel plate of a tensile tester under ideal condition. (80mm/min)*

**Rubber coated magnet with External thread**



Model	D mm	H mm	M	L mm	Weight g	Strength kg
RCME22	22	6	M4 M5 M6 1/4-20	13	11	3.5
RCME31	31	6	M4 M5 M6 1/4-20	21	22	7.5
RCME43	43	6	M4 M5 M6 1/4-20	21	34	10
RCME66	66	8	M5 M6 M8 M10	23	100	22
RCME88	88	8	M6 M8 M10 1/4-20	23	184	45

**Rubber coated magnet with Through hole**



Model	D mm	H mm	h mm	d1 mm	d2 mm	Weight g	Strength kg
RCMT22	22	6	3	4	8.2	8	3.5
RCMT31	31	6	3	6	9	20	7.5
RCMT43	43	6	2	7.5	12.8	27	10
RCMT66	66	8	3	5.5	22	100	22
RCMT88	88	8	3	6.6	22	182	45

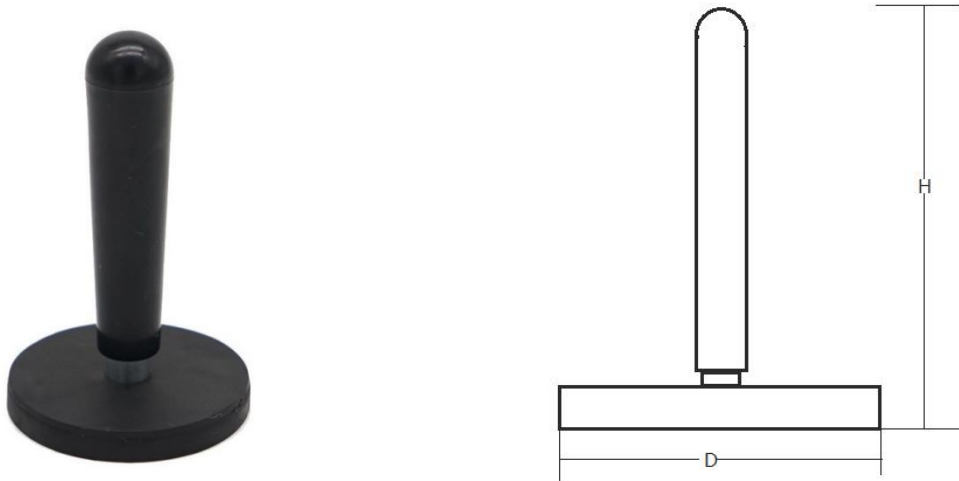
*Note: all the strength of pot magnets are the vertical magnetic pull-force which make the magnet pull away from the 20mm thickness steel plate of a tensile tester under ideal condition. (80mm/min)*

**Rubber coated magnet with Countersunk hole**



Model	D (mm)	H (mm)	h (mm)	d1 (mm)	d2 (mm)	Weight (g)	Strength(kg)
RCMC22	22	6	3.5	4	8.2	8	3.5
RCMC31	31	6	3.5	6	9	20	7.5

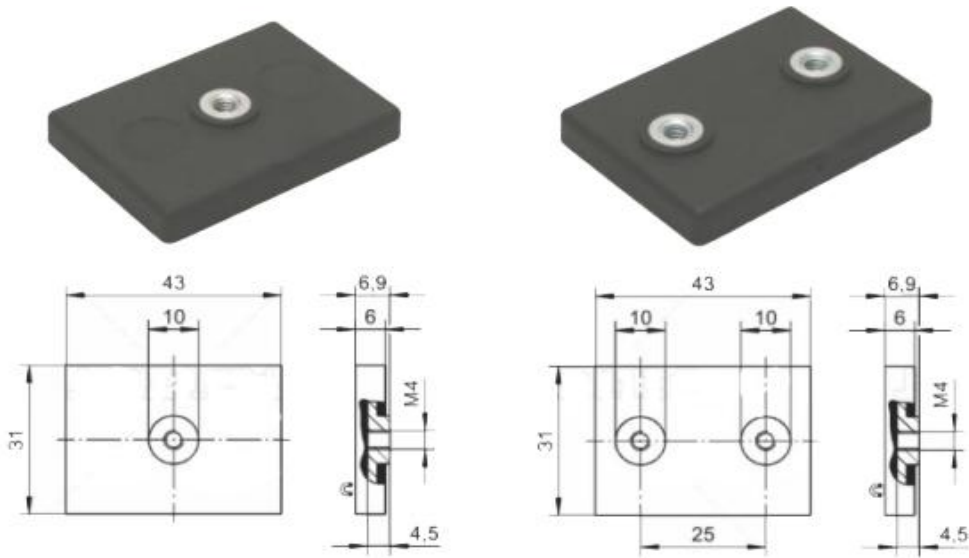
**Rubber coated magnets with handle** are ideal for use in those environments where a soft touch is required like hold prints on client vehicles, boats , cars or even plane.



Model	D (mm)	H (mm)	Weight (g)	Strength (kg)
RCMH43	43	68	50	10
RCMH66	66	89.5	150	22
RCMH88	88	89.5	200	45

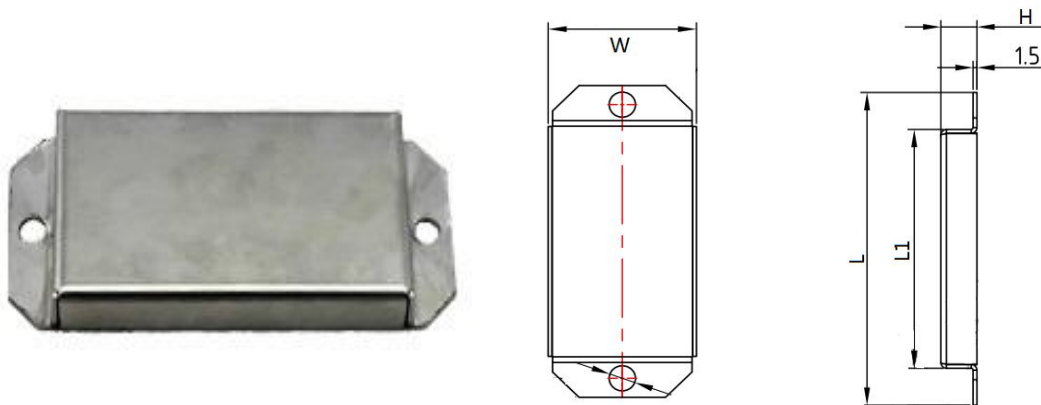
*Note: all the strength of pot magnets are the vertical magnetic pull-force which make the magnet pull away from the 20mm thickness steel plate of a tensile tester under ideal condition. (80mm/min)*

**Rubber coated magnet in Block shape**



Model	L (mm)	B (mm)	M	H (mm)	Weight (g)	Strength (kg)
RCMB43-1	43	31	1*M4	6.9	27	8
RCMB43-2	43	31	2*M4	6.9	28	9

These magnet assembly is called as **magnetic cleaning pig** which often used to remove iron-sulfides and ferrous debris in gas and hydrocarbon pipelines.



Model	L (in)	L1 (in)	W (in)	H (in)	Weight (g)	Gauss (Gs)
PMP80	3 1/16	2	1 1/8	41/64	170	4300
PMP130	5	3.97	2 7/32	41/64	665.8	4100

*Note: all the strength of pot magnets are the vertical magnetic pull-force which make the magnet pull away from the 20mm thickness steel plate of a tensile tester under ideal condition. (80mm/min)*